



# Macadams

## Rotary Rack Oven 180-2



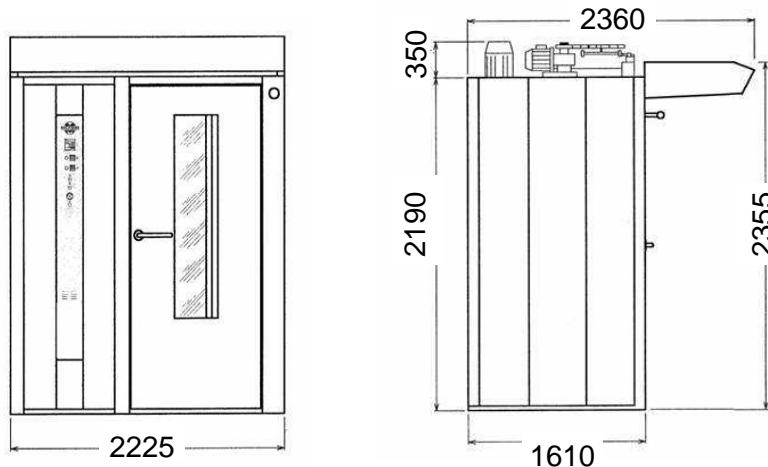
### FEATURES & BENEFITS

- Easy maintenance.
- Platform system with ramp.
- Simple control panel.
- 2 racks / bake.
- Electrical or fuel execution.
- Canopy optional.
- High grade stainless steel design
- Robust design.



|  | M180-2  |
|--|---|
| <b>Power Rating (kW)</b>   | Electrical : 70<br>Fuel : 103 (burner)<br>3.0 Electrical                          |
| <b>Supply Voltage (V)</b>  | 400 V, 50 Hz<br>3 phase, neutral & earth.<br>Other voltages available on request. |
| <b>Control Voltage (V)</b>   | 230   |
| <b>Current Rating at 400 V</b>   | Electrical : 103 A<br>Fuel : 5 A  |
| <b>Baking Surface (m<sup>2</sup>)</b>  | 12.6  |
| <b>Product:</b><br>Standard Bread: 600 - 900 g<br>Rolls: 60 g (6 x 4 / tray)<br>Baguettes: 500 g (5 fluted trays)<br>Pies (foil): 100 g (6 x 4 / tray) | <b>Capacity</b><br>180<br>72 dozen<br>180<br>72 dozen                             |
| <b>Capacity:</b>   | 2 by 457 x 762 mm / shelf<br>1 by 800 x 1000 mm / shelf                           |
| <b>Weight (kg)</b>   | Electrical : 1733<br>Fuel : 1816  |

Oven dimensions in mm: exclude all protrusions (door handles, drain exits etc).  
Allow an additional 200mm for protrusions



## Contact Details

HEAD OFFICE, EXPORTS & CAPE TOWN BRANCH Tel : +27 (21) 907-1000 Fax : +27 (21) 907-1111

JOHANNESBURG BRANCH Tel : (011) 472-4100 Fax : 086 618 6462

DURBAN BRANCH Tel : (031) 569-6290 Fax : (031) 569-6296

EMAIL [info@macadams.co.za](mailto:info@macadams.co.za)

WEBSITE [www.macadams.co.za](http://www.macadams.co.za)