



Macadams

Rotary Rack Oven 120 SLE



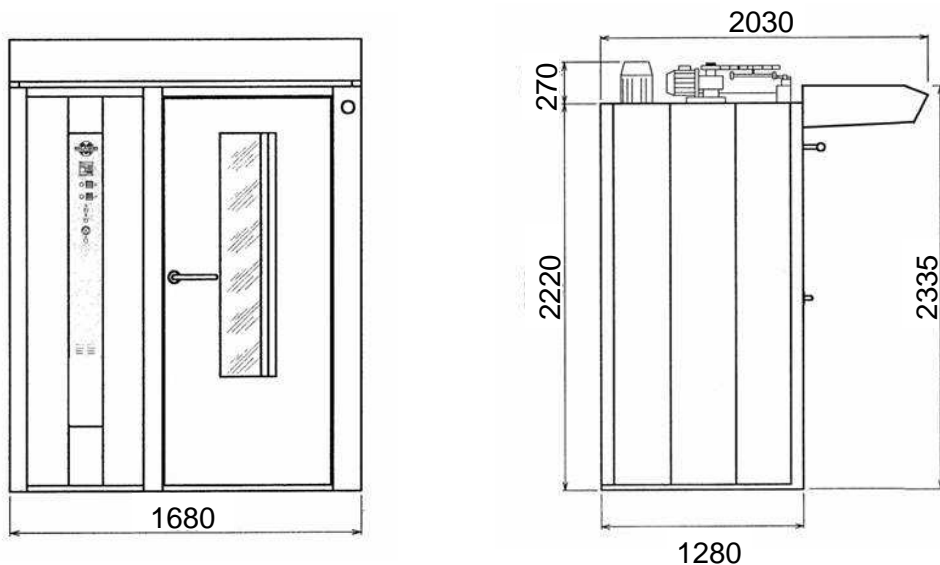
FEATURES & BENEFITS

- Easy maintenance.
- Simple control panel.
- Canopy optional.
- Hook or platform system with ramp.
- High grade stainless steel.
- Electrical execution.



M120 Slim Line Electric (SLE)	
Power Rating (kW)	Electrical: 46
Supply Voltage	400 V, 50 Hz 3 phase, neutral & earth. Other voltages available on request.
Control Voltage (V)	230
Current Rating at 400V	Electrical: 70A
Baking Surface (m²)	8.7
Product: Standard Bread: 600 - 900 g Rolls: 60 g (6 x 5 / tray) Baguettes: 500 g (6 fluted tray) Pies (foil): 100 g (6 x 5 / tray)	Capacity 120 45 dozen 108 45 dozen
Capacity	18 x (600 x 800) mm
Weight (kg)	Electrical: 1070

Oven dimensions in mm: exclude all protrusions (door handles, drain exits etc).
Allow an additional 200mm for protrusions



Contact Details

HEAD OFFICE, EXPORTS & CAPE TOWN BRANCH Tel : +27 (21) 907-1000 Fax : +27 (21) 907-1111

JOHANNESBURG BRANCH Tel : (011) 472-4100 Fax : 086 618 6462

DURBAN BRANCH Tel : (031) 569-6290 Fax : (031) 569-6296

EMAIL info@macadams.co.za

WEBSITE www.macadams.co.za